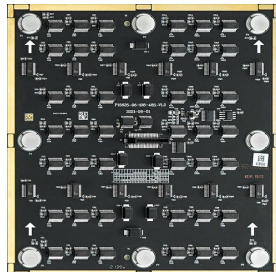
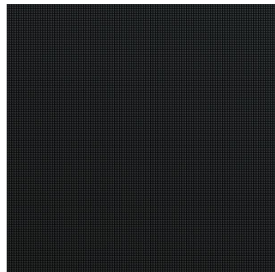


## P0.93 indoor Die-Cast Aluminum 600\*337.5/600\*675 Cabinet Full Color Led Display Specification



**Module**



**600\*337.5 Cabinet**



**600\*675 Cabinet**

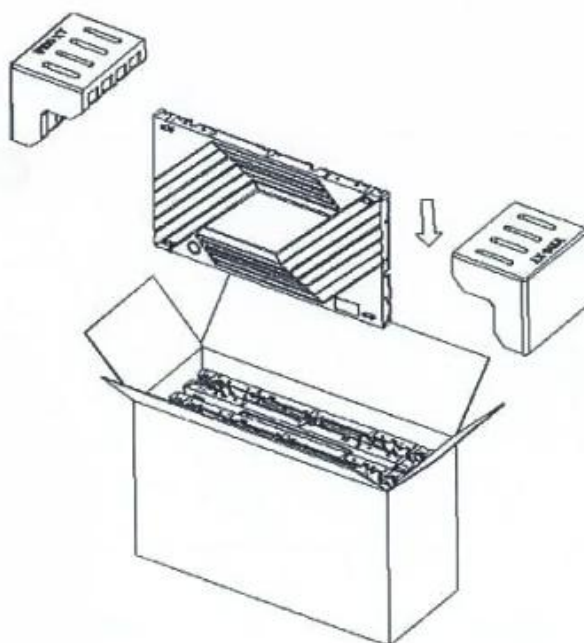
- ◆ High reliability: COB modules, moisture proof, Anti-collision, Scrubable lamp surface ,low power consumption, fast heat dissipation, effectively prolong the service life of the chip.
- ◆ Good consistency ,seamless assemble, available for 2K/4K/8K solutions.
- ◆ Magnetic modular design, it can be mounted to the wall and maintained from front, save space and guarantee worry-free operation of large screen.
- ◆ Constant current drive chip,low power dissipation, uniform light,meet the high refresh rate/contrast ratio/gray level requirements.
- ◆ Support point by point calibration function, insure the color and brightness uniformity of whole screen after assemble, and improve visual performance.
- ◆ 160° Ultra large horizontal and vertical viewing angel, Soft and not dazzling image, better visual performance.
- ◆ Widely applied to professional application, such as security monitoring/command and monitor system/conference room/museum/display/industrial design/exhibition, where need HD images.

### Technical Parameters :

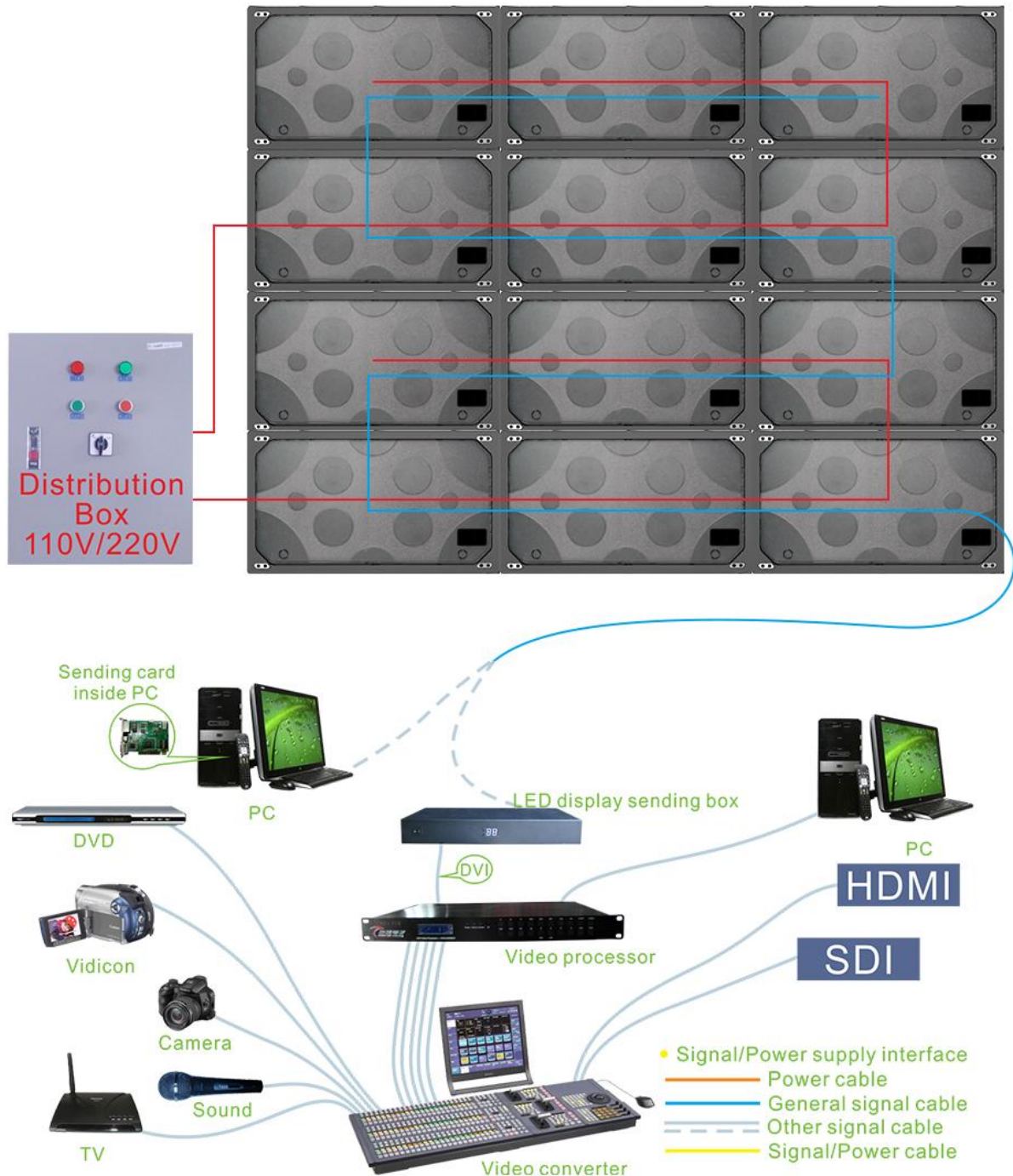
	Item	Specification Parameter
Module Parameter	Pixel Pitch、 Resolution rate、 size	0.93mm、 160*180、 150*168.75mm
	Pixel color、 Pixel LED	1R1G1B、 Inverted COB
	Working voltage、 Module Power	DC2.8V/3.8V、 10W
	Driving IC、 Driving way	ICND1069、 54
	HUB	
Cabinet Parameter	Material、 Cabinet Weight(kg/Cabinet)	Die-Cast Aluminum 、 4kg/ Cabinet; 7.9kg/ Cabinet
	Resolution rate、 size、 Module quantity	640*360 Dots、 600*337.5*39.5mm、 4*2; 640*720 Dots、 600*675*39.5mm、 4*4
	Density	1137777 Dots/m <sup>2</sup>
	White balance 、 Color temperature	300~600 CD/m <sup>2</sup> 、 9300K
	view angel、 Non-Flatness、 Module interval	H/V: 160° /160° 、 <0.1mm、 <0.1mm
	Maximal power/m <sup>2</sup> 、 Average power/m <sup>2</sup>	380W/m <sup>2</sup> 、 125W/m <sup>2</sup>
	Frame frequency、 Refresh frequency、 Gray grade	60Hz、 2880-3840Hz、 ≥13bit
	Control system、 System supports	CHIPSHOW, Windows XP, WIN 7, Novastar
	Working temperature、 Protection grade	- 10~40℃、 Front/Back: IP54 (surface of the PCB board)
*Reference information, different configurations, different parameters		

### Package Parameters :

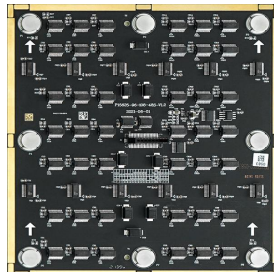
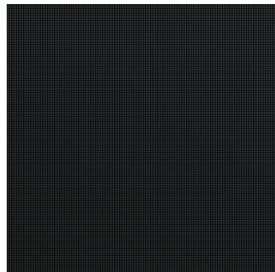
Gross Weight (kg)	18kg (Estimated data,4pcs /Case)
Outer Package Size	664*263*403mm (Estimated data,4pcs /Case)
Packing Material	Carton+pearl cotton +protection corner



**Assembly Sketch Map/Power Cable And Signal Cable Connection Sketch Map:**



## P0.78 indoor Die-Cast Aluminum 600\*337.5/600\*675 Cabinet Full Color Led Display Specification



**Module**



**600\*337.5 Cabinet**



**600\*675 Cabinet**

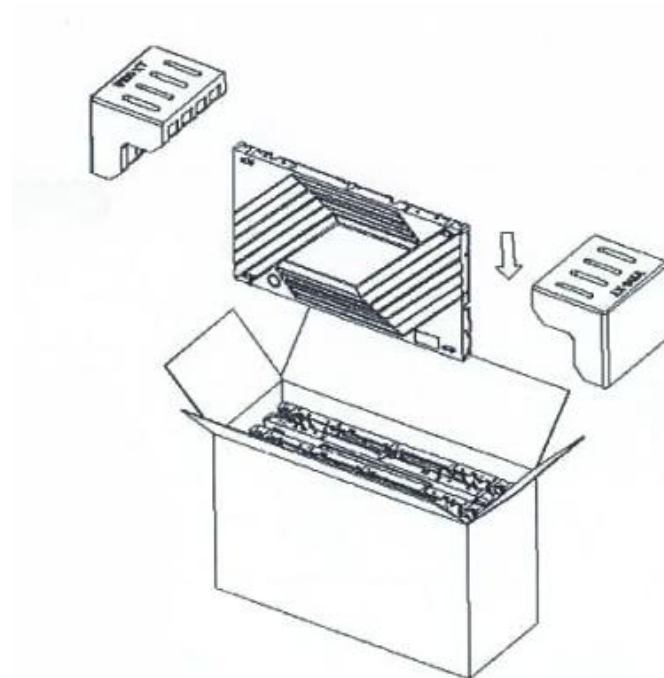
- ◆ High reliability: COB modules, moisture proof, Anti-collision, Scrubable lamp surface ,low power consumption, fast heat dissipation, effectively prolong the service life of the chip.
- ◆ Good consistency ,seamless assemble, available for 2K/4K/8K solutions.
- ◆ Magnetic modular design, it can be mounted to the wall and maintained from front, save space and guarantee worry-free operation of large screen.
- ◆ Constant current drive chip,low power dissipation, uniform light,meet the high refresh rate/contrast ratio/gray level requirements.
- ◆ Support point by point calibration function, insure the color and brightness uniformity of whole screen after assemble, and improve visual performance.
- ◆ 160° Ultra large horizontal and vertical viewing angel, Soft and not dazzling image, better visual performance.
- ◆ Widely applied to professional application, such as security monitoring/command and monitor system/conference room/museum/display/industrial design/exhibition, where need HD images.

### Technical Parameters :

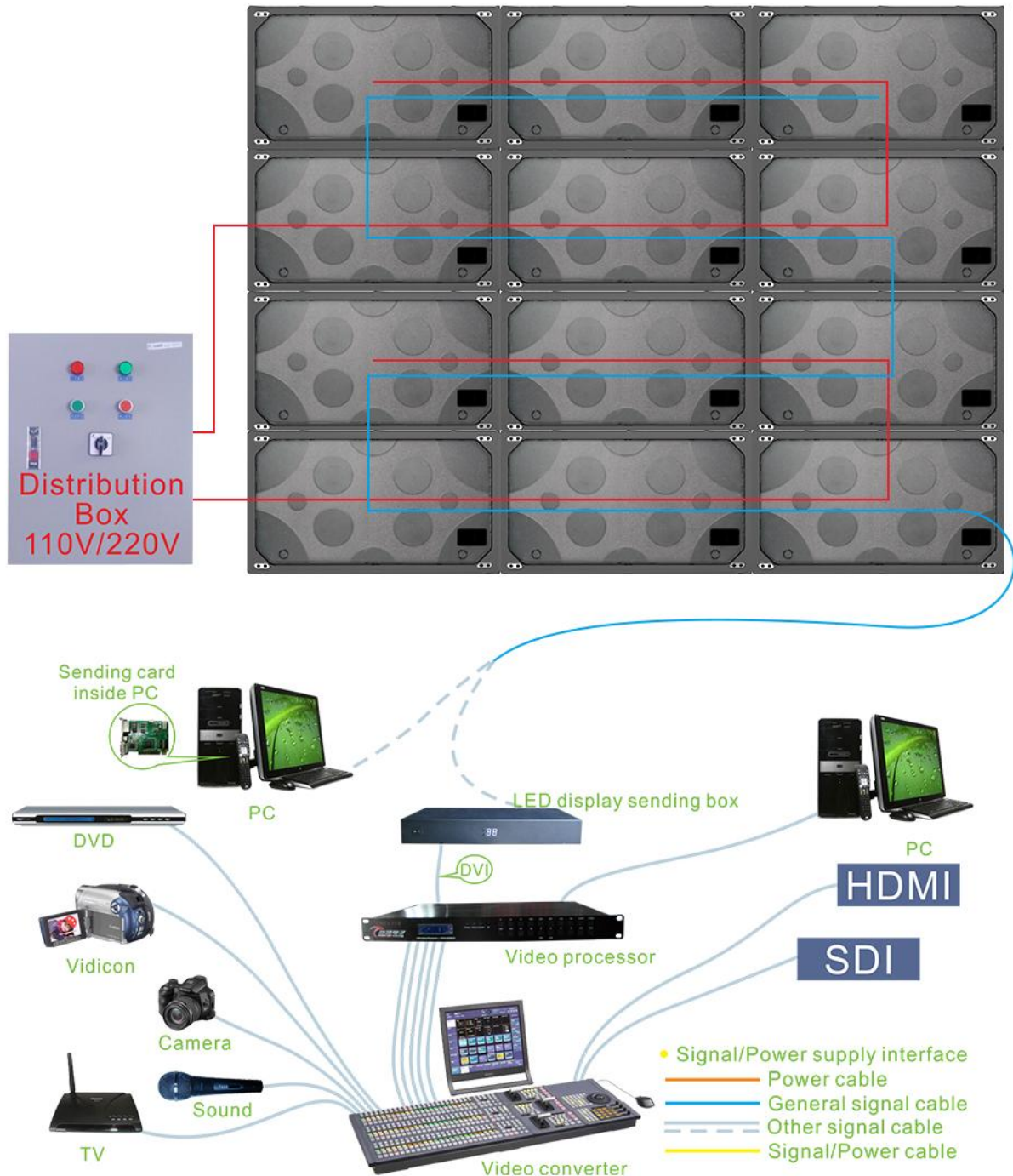
	Item	Specification Parameter
Module Parameter	Pixel Pitch、 Resolution rate、 size	0.78mm、 192*216、 150*168.75mm
	Pixel color、 Pixel LED	1R1G1B、 Inverted COB
	Working voltage、 Module Power	AC 100~240V、 67W
	Driving IC、 Driving way	ICND1069、 48
	HUB	
Cabinet Parameter	Material、 Cabinet Weight(kg/Cabinet)	Die-Cast Aluminum 、 4kg/ Cabinet; 7.9kg/ Cabinet
	Resolution rate、 size、 Module quantity	768*432 Dots、 600*337.5*39.5mm、 4*2; 768*865 Dots、 600*675*39.5mm、 4*4
	Density	1638400 Dots/m <sup>2</sup>
	White balance 、 Color temperature	300~600 CD/m <sup>2</sup> 、 9300K
	view angel、 Non-Flatness、 Module interval	H/V: 160° /160° 、 <0.1mm、 <0.1mm
	Maximal power/m <sup>2</sup> 、 Average power/m <sup>2</sup>	400W/m <sup>2</sup> 、 135W/m <sup>2</sup>
	Frame frequency、 Refresh frequency、 Gray grade	60Hz、 2880~3840Hz、 ≥13bit
	Control system、 System supports	CHIPSHOW, Windows XP, WIN 7, Novastar
	Working temperature、 Protection grade	- 10~40℃、 Front/Back: IP54(surface of the PCB board)
*Reference information, different configurations, different parameters		

### Package Parameters :

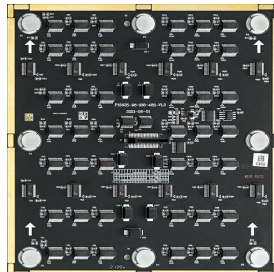
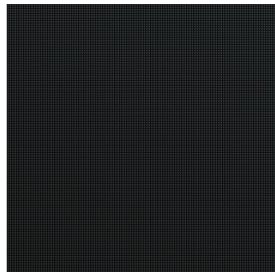
Gross Weight (kg)	18kg (Estimated data,4pcs /Case)
Outer Package Size	664*263*403mm (Estimated data,4pcs /Case)
Packing Material	Carton+pearl cotton +protection corner



**Assembly Sketch Map/Power Cable And Signal Cable Connection Sketch Map:**



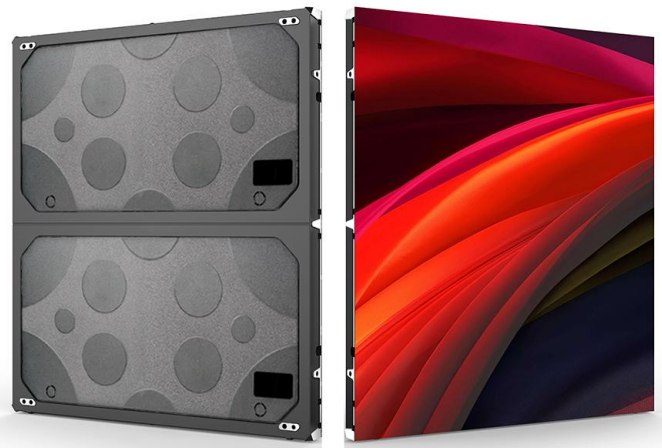
## P1.25 indoor Die-Cast Aluminum 600\*337.5/600\*675 Cabinet Full Color Led Display Specification



**Module**



**600\*337.5 Cabinet**



**600\*675 Cabinet**

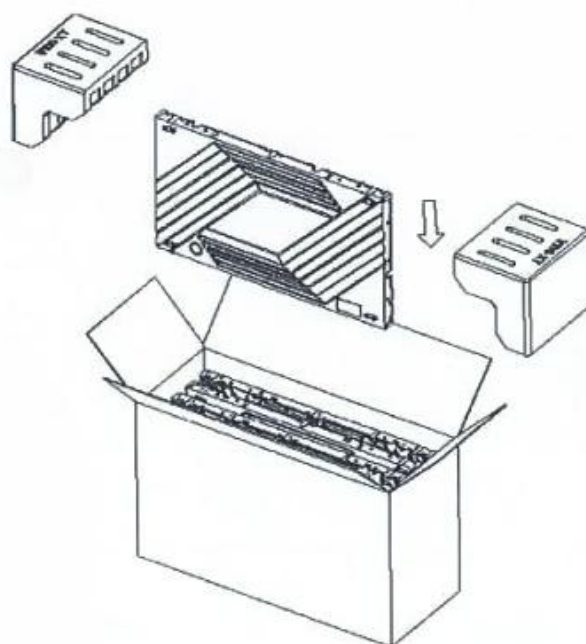
- ◆ High reliability: COB modules, moisture proof, Anti-collision, Scrubable lamp surface ,low power consumption, fast heat dissipation, effectively prolong the service life of the chip.
- ◆ Good consistency ,seamless assemble, available for 2K/4K/8K solutions.
- ◆ Magnetic modular design, it can be mounted to the wall and maintained from front, save space and guarantee worry-free operation of large screen.
- ◆ Constant current drive chip,low power dissipation, uniform light,meet the high refresh rate/contrast ratio/gray level requirements.
- ◆ Support point by point calibration function, insure the color and brightness uniformity of whole screen after assemble, and improve visual performance.
- ◆ 160° Ultra large horizontal and vertical viewing angel, Soft and not dazzling image, better visual performance.
- ◆ Widely applied to professional application, such as security monitoring/command and monitor system/conference room/museum/display/industrial design/exhibition, where need HD images.

### Technical Parameters :

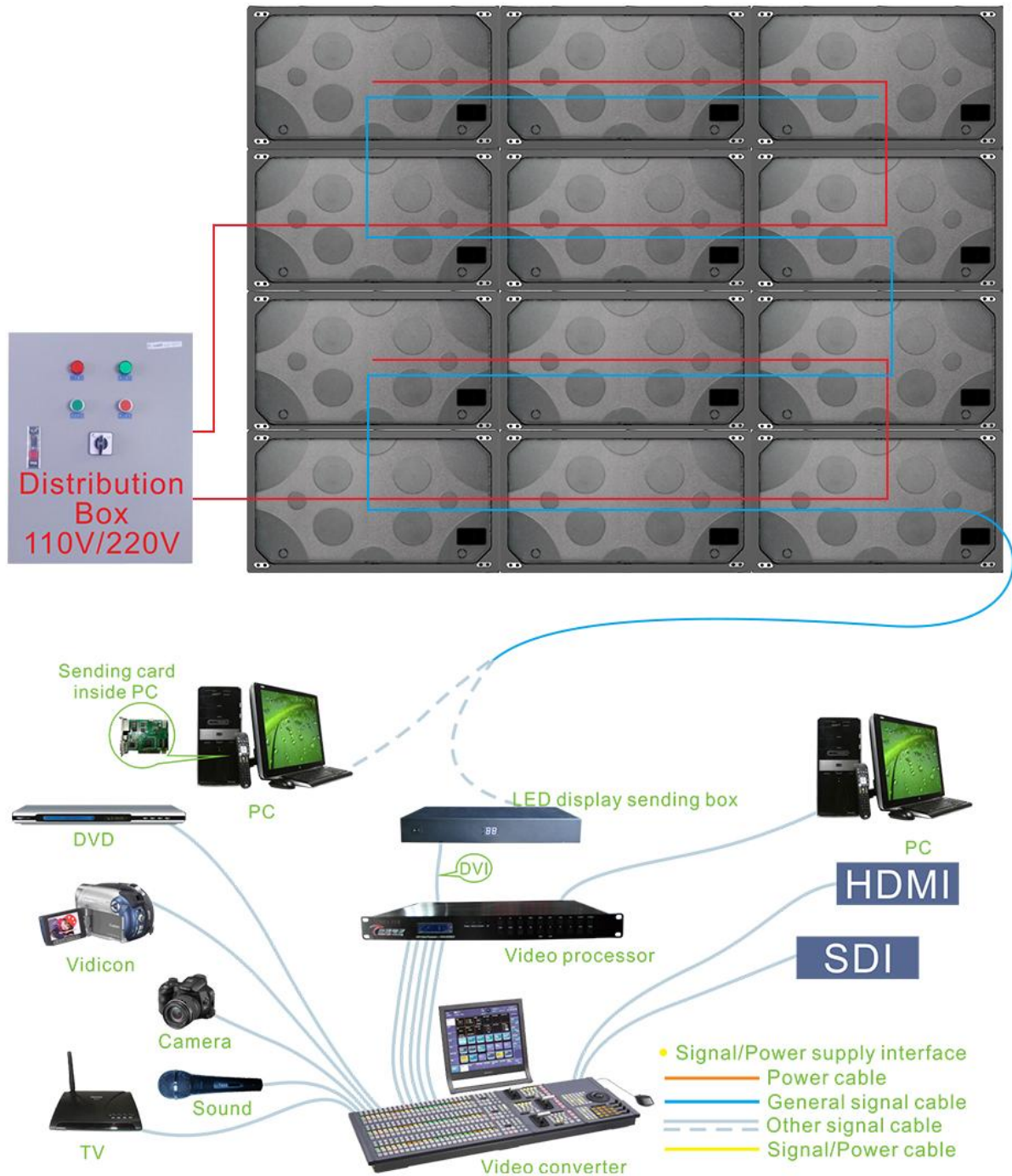
	Item	Specification Parameter
Module Parameter	Pixel Pitch、 Resolution rate、 size	1.25mm、 120*135、 150*168.75mm
	Pixel color、 Pixel LED	1R1G1B、 Inverted COB
	Working voltage、 Module Power	DC4.2V、 9W
	Driving IC、 Driving way	ICND2065、 60S
	HUB	
Cabinet Parameter	Material、 Cabinet Weight(kg/Cabinet)	Die-Cast Aluminum 、 4kg/ Cabinet; 7.9kg/ Cabinet
	Resolution rate、 size、 Module quantity	480*270 Dots、 600*337.5*39.5mm、 4*2; 480*540 Dots、 600*675*39.5mm、 4*4
	Density	640000 Dots/m <sup>2</sup>
	White balance 、 Color temperature	300~600 CD/m <sup>2</sup> 、 9300K
	view angel、 Non-Flatness、 Module interval	H/V: 160° /160° 、 <0.1mm、 <0.1mm
	Maximal power/m <sup>2</sup> 、 Average power/m <sup>2</sup>	330W/m <sup>2</sup> 、 110W/m <sup>2</sup>
	Frame frequency、 Refresh frequency、 Gray grade	60Hz、 2880-3840Hz、 ≥13bit
	Control system、 System supports	CHIPSHOW, Windows XP, WIN 7, Novastar
	Working temperature、 Protection grade	- 10~40℃、 Front/Back: IP54(surface of the PCB board)
*Reference information, different configurations, different parameters		

### Package Parameters :

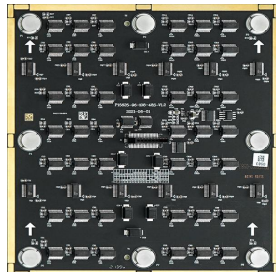
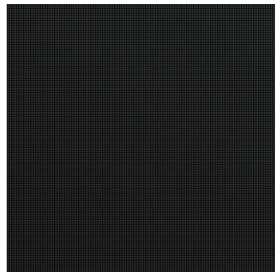
Gross Weight (kg)	18kg (Estimated data,4pcs /Case)
Outer Package Size	664*263*403mm (Estimated data,4pcs /Case)
Packing Material	Carton+pearl cotton +protection corner



**Assembly Sketch Map/Power Cable And Signal Cable Connection Sketch Map:**



## P1.56 indoor Die-Cast Aluminum 600\*337.5/600\*675 Cabinet Full Color Led Display Specification



**Module**



**600\*337.5 Cabinet**



**600\*675 Cabinet**

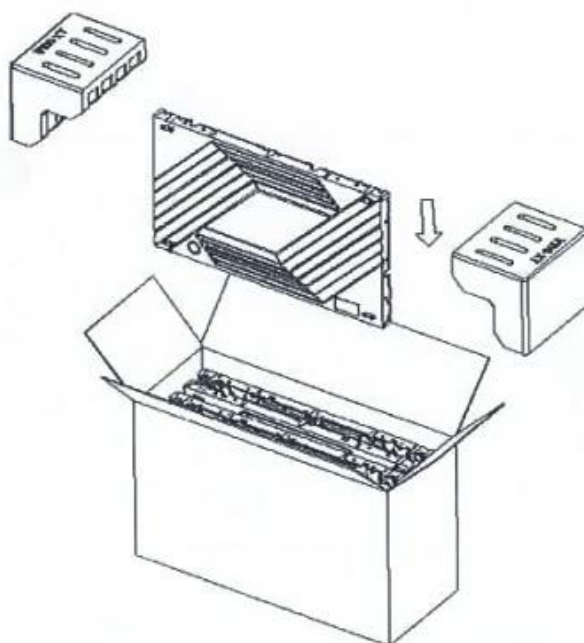
- ◆ High reliability: COB modules, moisture proof, Anti-collision, Scrubable lamp surface ,low power consumption, fast heat dissipation, effectively prolong the service life of the chip.
- ◆ Good consistency ,seamless assemble, available for 2K/4K/8K solutions.
- ◆ Magnetic modular design, it can be mounted to the wall and maintained from front, save space and guarantee worry-free operation of large screen.
- ◆ Constant current drive chip,low power dissipation, uniform light,meet the high refresh rate/contrast ratio/gray level requirements.
- ◆ Support point by point calibration function, insure the color and brightness uniformity of whole screen after assemble, and improve visual performance.
- ◆ 160° Ultra large horizontal and vertical viewing angel, Soft and not dazzling image, better visual performance.
- ◆ Widely applied to professional application, such as security monitoring/command and monitor system/conference room/museum/display/industrial design/exhibition, where need HD images.

### Technical Parameters :

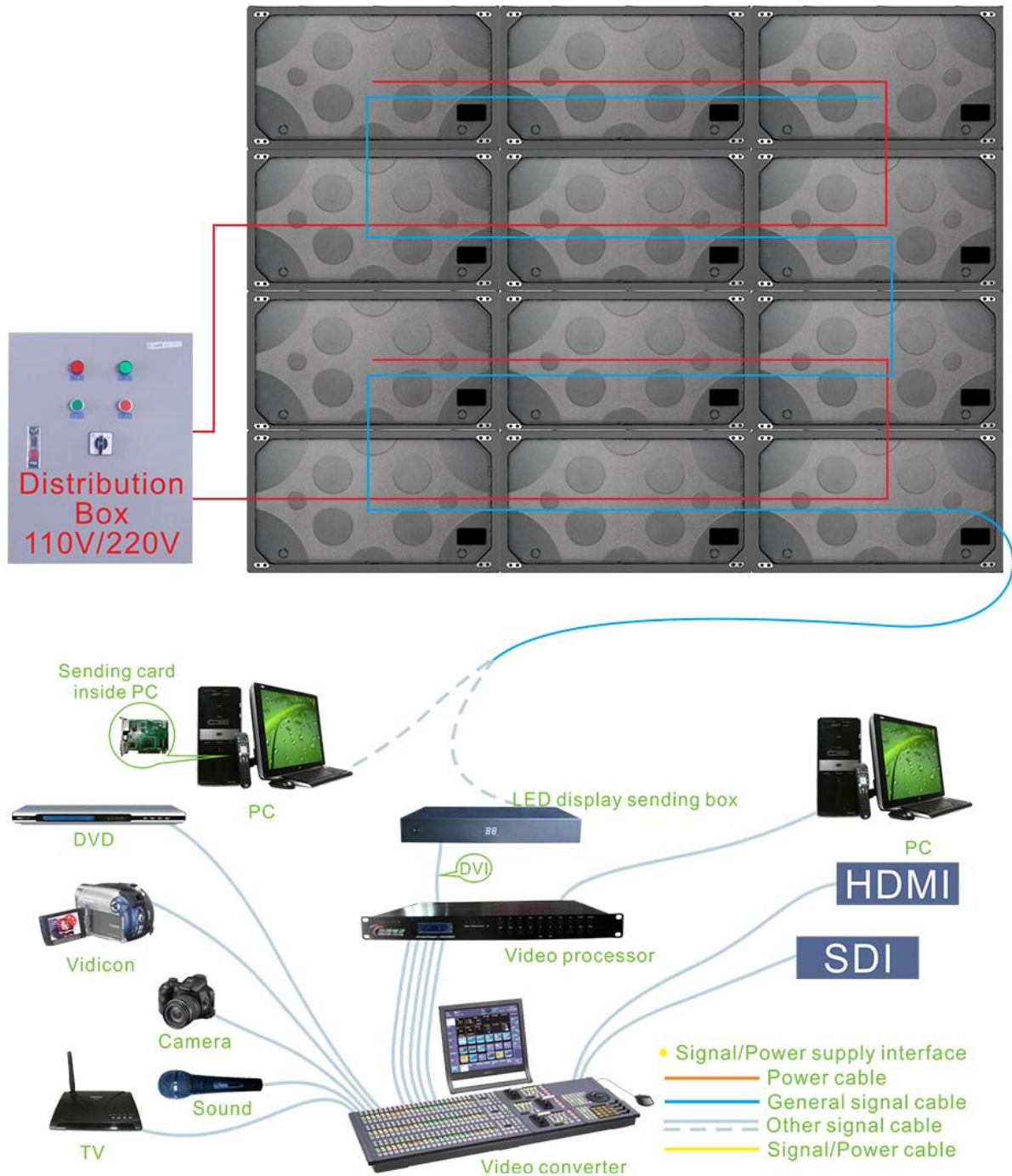
	Item	Specification Parameter
Module Parameter	Pixel Pitch、 Resolution rate、 size	1.56mm、 96*108、 150*168.75mm
	Pixel color、 Pixel LED	1R1G1B、 Inverted COB
	Working voltage、 Module Power	DC4.2V、 9W
	Driving IC、 Driving way	ICND2065、 54
	HUB	
Cabinet Parameter	Material、 Cabinet Weight(kg/Cabinet)	Die-Cast Aluminum 、 4kg/ Cabinet; 7.9kg/ Cabinet
	Resolution rate、 size、 Module quantity	384*216 Dots、 600*337.5*39.5mm、 4*2; 384*432 Dots、 600*675*39.5mm、 4*4
	Density	409600 Dots/m <sup>2</sup>
	White balance 、 Color temperature	300~600 CD/m <sup>2</sup> 、 9300K
	view angel、 Non-Flatness、 Module interval	H/V: 160° /160° 、 <0.1mm、 <0.1mm
	Maximal power/m <sup>2</sup> 、 Average power/m <sup>2</sup>	330W/m <sup>2</sup> 、 110W/m <sup>2</sup>
	Frame frequency、 Refresh frequency、 Gray grade	60Hz、 2880-3840Hz、 ≥13bit
	Control system、 System supports	CHIPSHOW, Windows XP, WIN 7, Novastar
	Working temperature、 Protection grade	- 10~40℃、 Front/Back: IP54 (surface of the PCB board)
*Reference information, different configurations, different parameters		

### Package Parameters :

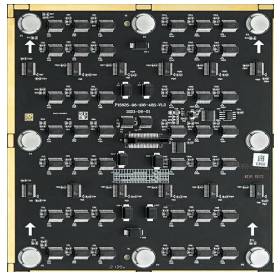
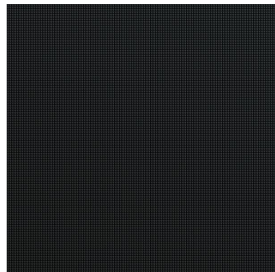
Gross Weight (kg)	18kg (Estimated data,4pcs /Case)
Outer Package Size	664*263*403mm (Estimated data,4pcs /Case)
Packing Material	Carton+pearl cotton +protection corner



**Assembly Sketch Map/Power Cable And Signal Cable Connection Sketch Map:**



## P187 indoor Die-Cast Aluminum 600\*337.5/600\*675 Cabinet Full Color Led Display Specification



**Module**



**600\*337.5 Cabinet**



**600\*675 Cabinet**

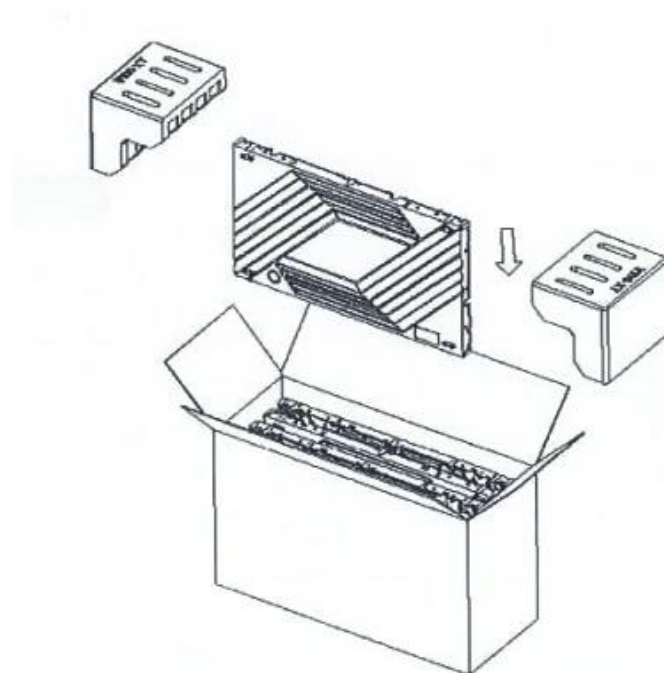
- ◆ High reliability: COB modules, moisture proof, Anti-collision, Scrubable lamp surface ,low power consumption, fast heat dissipation, effectively prolong the service life of the chip.
- ◆ Good consistency ,seamless assemble, available for 2K/4K/8K solutions.
- ◆ Magnetic modular design, it can be mounted to the wall and maintained from front, save space and guarantee worry-free operation of large screen.
- ◆ Constant current drive chip,low power dissipation, uniform light,meet the high refresh rate/contrast ratio/gray level requirements.
- ◆ Support point by point calibration function, insure the color and brightness uniformity of whole screen after assemble, and improve visual performance.
- ◆ 160° Ultra large horizontal and vertical viewing angel, Soft and not dazzling image, better visual performance.
- ◆ Widely applied to professional application, such as security monitoring/command and monitor system/conference room/museum/display/industrial design/exhibition, where need HD images.

### Technical Parameters :

	Item	Specification Parameter
Module Parameter	Pixel Pitch、 Resolution rate、 size	1.875mm、 80*90、 150*168.75mm
	Pixel color、 Pixel LED	1R1G1B、 Inverted COB
	Working voltage、 Module Power	DC4.2V、 8W
	Driving IC、 Driving way	ICND2065、 40
	HUB	
Cabinet Parameter	Material、 Cabinet Weight(kg/Cabinet)	Die-Cast Aluminum 、 4kg/ Cabinet; 7.9kg/ Cabinet
	Resolution rate、 size、 Module quantity	320*180 Dots、 600*337.5*39.5mm、 4*2;
	Resolution rate、 size、 Module quantity	320*360 Dots、 600*675*39.5mm、 4*4
	Density	284444Dots/m <sup>2</sup>
	White balance 、 Color temperature	300~600 CD/m <sup>2</sup> 、 9300K
	view angel、 Non-Flatness、 Module interval	H/V: 160° /160° 、 <0.1mm、 <0.1mm
	Maximal power/m <sup>2</sup> 、 Average power/m <sup>2</sup>	320W/m <sup>2</sup> 、 110W/m <sup>2</sup>
	Frame frequency、 Refresh frequency、 Gray grade	60Hz、 2880-3840Hz、 ≥13bit
	Control system、 System supports	CHIPSHOW, Windows XP, WIN 7, Novastar
	Working temperature、 Protection grade	- 10~40℃、 Front/Back: IP54(surface of the PCB board)
*Reference information, different configurations, different parameters		

### Package Parameters :

Gross Weight (kg)	18kg (Estimated data,4pcs /Case)
Outer Package Size	664*263*403mm (Estimated data,4pcs /Case)
Packing Material	Carton+pearl cotton +protection corner



**Assembly Sketch Map/Power Cable And Signal Cable Connection Sketch Map:**

